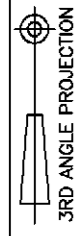


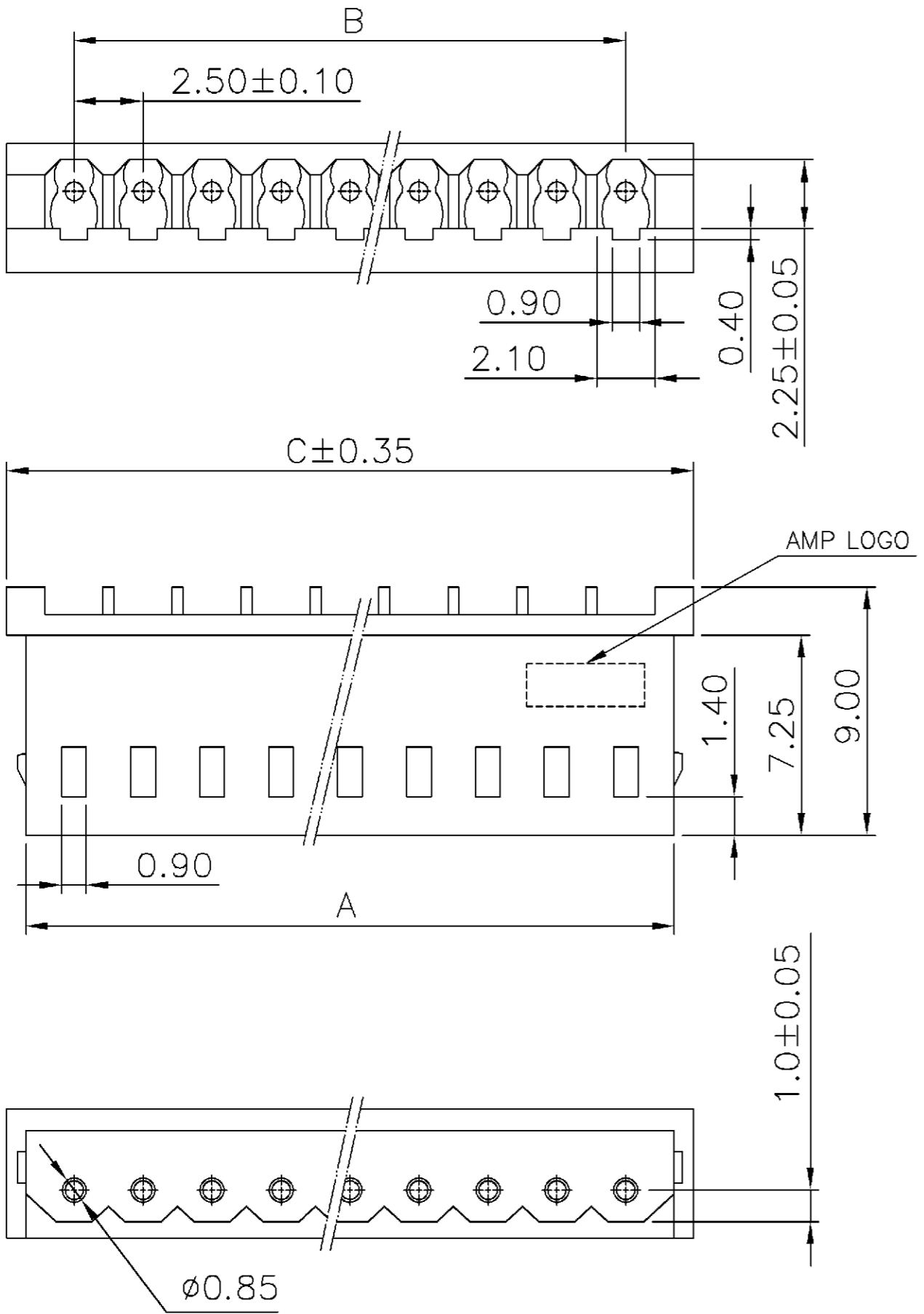
NUMBER C-1470222



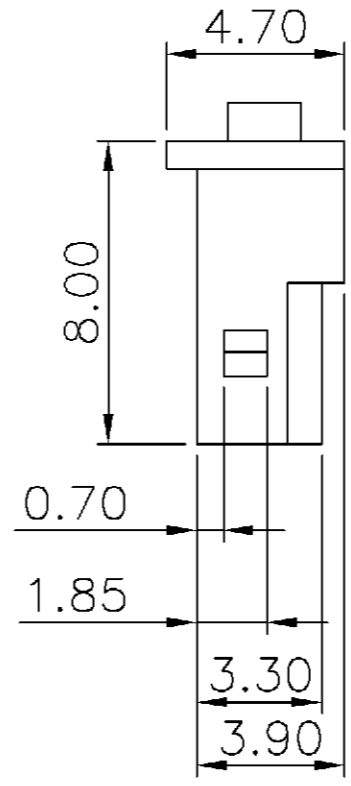
METRIC

THIS INFORMATION IS CONFIDENTIAL AND IS DISCLOSED TO YOU ON CONDITION THAT NO FURTHER DISCLOSURE IS MADE BY YOU TO OTHER THAN AMP PERSONNEL WITHOUT WRITTEN AUTHORIZATION FROM AMP (TAIWAN) LTD. DIMENSIONS IN MILLIMETERS. DO NOT SCALE PRINT.

PRINT DIST DW



NOTE:
1. MATERIAL :
HOUSING : THERMOPLASTIC UL94V-2, IVORY COLOR.

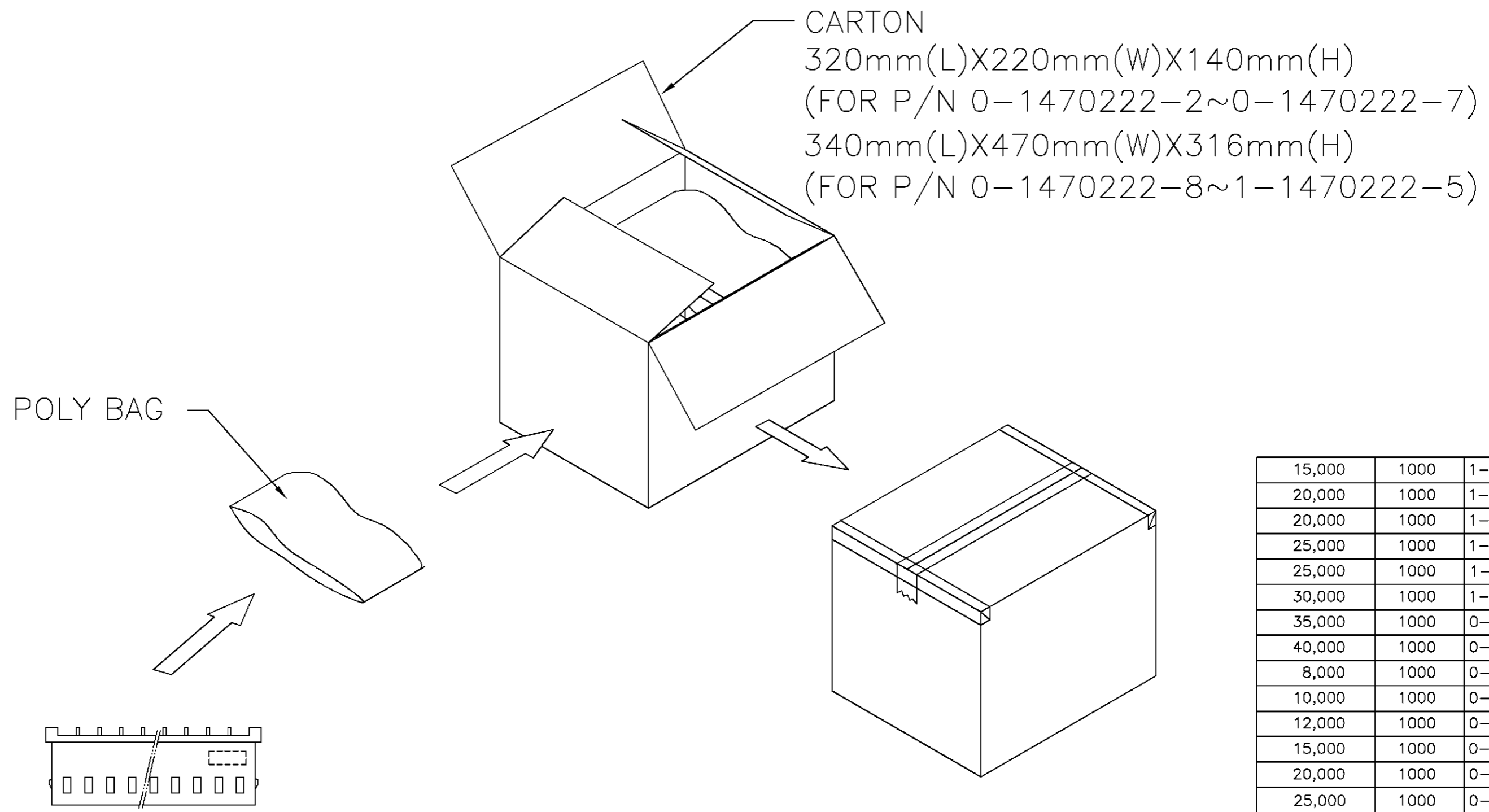


39.9	35.00 ±0.15	38.3	15	1-1470222-5
37.4	32.50 ±0.15	35.8	14	1-1470222-4
34.9	30.00 ±0.15	33.3	13	1-1470222-3
32.4	27.50 ±0.15	30.8	12	1-1470222-2
29.9	25.00 ±0.15	28.3	11	1-1470222-1
27.4	22.50 ±0.15	25.8	10	1-1470222-0
24.9	20.00 ±0.10	23.3	9	0-1470222-9
22.4	17.50 ±0.10	20.8	8	0-1470222-8
19.9	15.00 ±0.10	18.3	7	0-1470222-7
17.4	12.50 ±0.10	15.8	6	0-1470222-6
14.9	10.00 ±0.10	13.3	5	0-1470222-5
12.4	7.50 ±0.10	10.8	4	0-1470222-4
9.9	5.00 ±0.10	8.3	3	0-1470222-3
7.4	2.50 ±0.10	5.8	2	0-1470222-2
C	B	A	POS.	PART NUMBER

B	REVISED	FZ00-0167-03	OH	28JUL
			AW	2003
A	REVISED	FZ00-0115-02	OH	17MAY
			JC	2002
O	FIRST RELEASED	FZ00-0009-02	OH	22JAN
			JC	2002
LTR	REVISION RECORD	ECN	DWN	DATE
			CHK	

DIMENSION :		DWN	O. HU	TYCO		TYCO HOLDINGS (BERMUDA)	
0 PLC ±0.5		25-JUL-2003		Electronics		VII LTD. TAIWAN BRANCH	
1 PLC ±0.2		CHK	A. WU	NAME			
2 PLC ±0.1		25-JUL-2003		2.5mm PITCH EMIX RCPT			
3 PLC ±0.05		APVD	J. CHENG	CRIMP HOUSING.			
ANGLES ±3'		PRODUCT SPEC	25-JUL-2003	LOC	SIZE	DRAWING NO	REV
MATERIAL		108-57175		DW	A ₃	C-1470222	B
SEE NOTE		QUALIFICATION TEST REPORT	501-57195	WEIGHT	SCALE	SHEET	
FINISH		SEE NOTE		--		1 OF 2	

THIS INFORMATION IS CONFIDENTIAL AND IS DISCLOSED TO YOU ON CONDITION THAT NO FURTHER DISCLOSURE IS MADE BY YOU TO OTHER THAN AMP PERSONNEL WITHOUT WRITTEN AUTHORIZATION FROM AMP (TAIWAN) LTD.
 DIMENSIONS IN MILLIMETERS. DO NOT SCALE PRINT.



15,000	1000	1-1470222-5
20,000	1000	1-1470222-4
20,000	1000	1-1470222-3
25,000	1000	1-1470222-2
25,000	1000	1-1470222-1
30,000	1000	1-1470222-0
35,000	1000	0-1470222-9
40,000	1000	0-1470222-8
8,000	1000	0-1470222-7
10,000	1000	0-1470222-6
12,000	1000	0-1470222-5
15,000	1000	0-1470222-4
20,000	1000	0-1470222-3
25,000	1000	0-1470222-2
APQ (PCS/CARTON)	PPQ (PCS/BAG)	PART NUMBER

DIMENSION : 0 PLC ±0.5 1 PLC ±0.2 2 PLC ±0.1 3 PLC ±0.05 ANGLES ±3'	DWN	O. HU 25-JUL-2003	TYCO HOLDINGS (BERMUDA) VII LTD. TAIWAN BRANCH			
	CHK	A. WU 25-JUL-2003				
MATERIAL SEE NOTE	APVD	J. CHENG 25-JUL-2003	NAME 2.5mm PITCH EMIX RCPT CRIMP HOUSING.			
	PRODUCT SPEC					
FINISH SEE NOTE	APPLICATION SPEC		LOC DW	SIZE A ₃	DRAWING NO C-1470222	REV B
	WEIGHT		SCALE	--	SHEET	2 OF 2

	SEE SHEET 1.			
LTR	REVISION RECORD	ECN	DWN	CHK
			DATE	